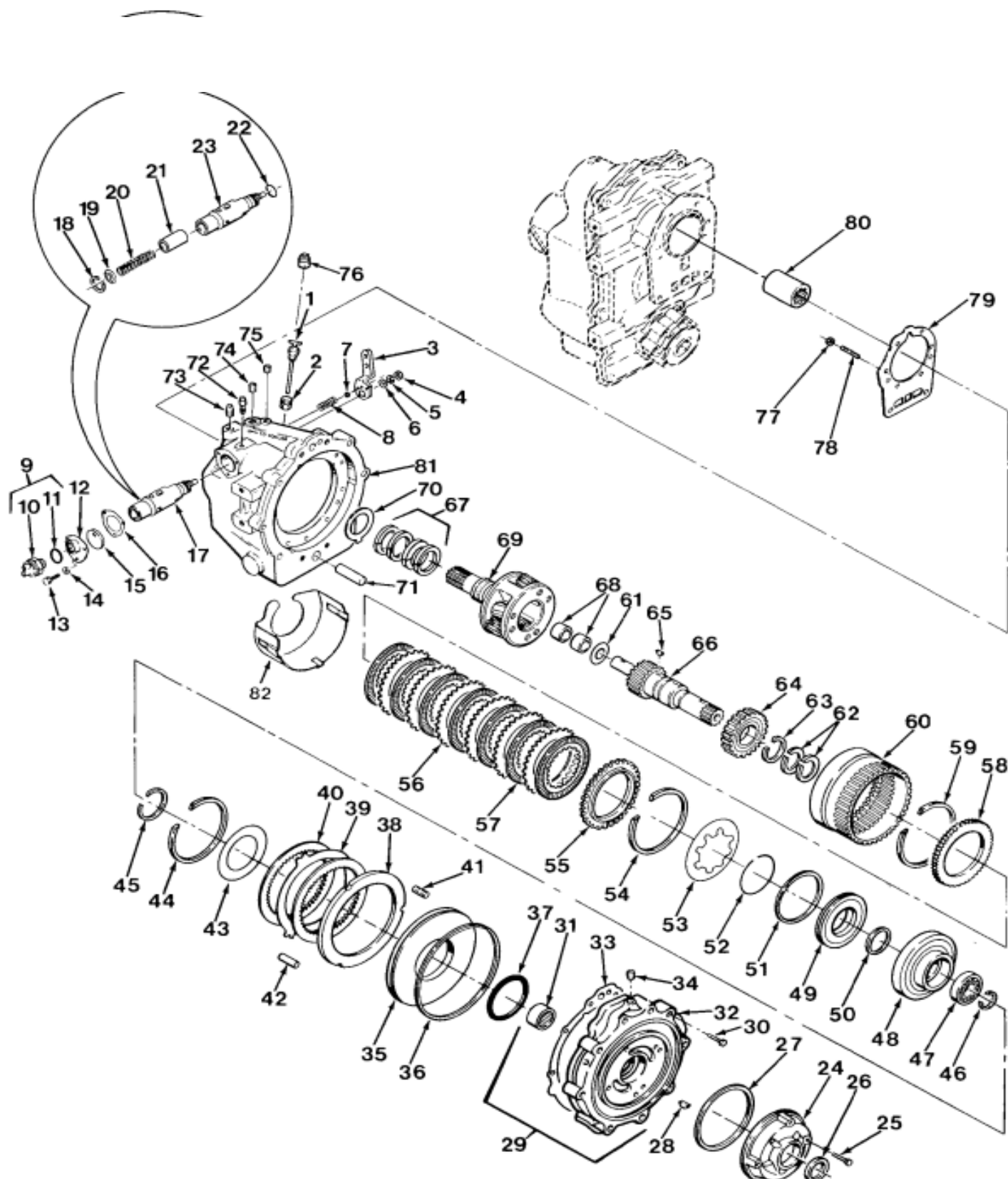


Ref	Delenummer	Beskrivelse	Ant.
	10-17-000-(See Note 1)	TRANSMISSION ASSEMBLY (MODEL 71C)	
	10-18-000-(See Note 1)	TRANSMISSION ASSEMBLY (MODEL 72C)	
1	4775L	OUTPUT SHAFT NUT	1
2	4547BA	COUPLING (10-17 ONL Y)	1
2A	4547AY	COUPLING (10-18 ONLY)	1
3	71-7	BEARING RETAINER (10-17 ONLY)	1
3A	72-7	BEARING RETAINER (10-18 ONLY)	1
4	179859	HEX HEAD BOLT (7/16-14 X 1-1/4)	6
5	103322	LOCKWASHER (7/16) (10-17 ONL Y)	6
6	71C-110	OIL SEAL	1
7	10-00-130-017	BEARING (1 Pkg)	1
7A	10-00-130-018	BEARING (10-17)	1
7B	B309AGS	BEARING (10-18)	1
8	71-147	BEARING RETAINER GASKET (10-17 ONLY)	1
8A	72-147	BEARING RETAINER GASKET (10-18 ONLY)	1
9	**	ADAPTER	1
9A	**	ADAPTER	1
9B	**	ADAPTER	1
10	**	LOCK BOLT (7/16-14 X 7/8)	6
11	**	LOCKWASHER (7/16) (10-18 ONLY)	6
11A	**	LOCKWASHER (7/16) (10-17 ONLY)	6
12	**	HEX HEAD BOLT (7/16-14 X 1-3/4)	2
13	**	LOCKWASHER (7/16)	2
14	**	ADAPTER GASKET	1
15	**	BEARING	1
16	**	RETAINING RING	1
17	10-17-559-001	DIPSTICK	1
17A	10-13-559-001	DIPSTICK TUBE	1
18	20-01-034-003	DIPSTICK TUBE	1
19	71-79B	SHIFT LEVER	1
20	9418892	HEX NUT (5/16-24)	1
21	108579	LOCKWASHER (5/16)	1
22	103340	FLATWASHER (5/16)	1
23	453632	STEEL BALL (5/16)	1
24	71-42	POPPET SPRING	1
25	10-00-640-004	NEUTRAL SWITCH ASSEMBLY	1
26	NO NUMBER	NEUTRAL SWITCH (NSS)	1
27	10-00-141-046	O-RING	1
28	10-16-039-001	VALVE COVER	1
29	179796	HEX HEAD BOLT (1/4-20 X 1/2)	3
30	103319	LOCKWASHER (1/4)	3
31	10-16-099-001	SWITCH CAM	1
32	71-14	VALVE COVER GASKET	1
33	71-A244A	CONTROL VALVE ASSEMBLY	1
34	4821	SNAP RING	1

35	71-246	SPRING RETAINER	1
36	71-242	VALVE SPRING	1
37	71-243	REGULATOR VALVE	1
38	4804H	O-RING	1
39	71-244A	CONTROL VALVE	1
40	71C-A60	PUMP ASSEMBLY	1
41	10-00-183-021	HEX HEAD BOLT (5/16-18 X 1-3/8)	4
42	10-00-044-014	OIL SEAL	1
43	3-61	PUMP GASKET	1
44	4873	WOODRUFF KEY	1
45	71C-A8	FORWARD AND REVERSE ADAPTER ASSEMBLY	1
46	20-00-183-017	CAPSCREW (3/8-16 X 1-1/4)	4
47	NO NUMBER	FORWARD AND REVERSE ADAPTER (NSS)	1
48	4840D	NEEDLE BEARING	1
49	71-144B	GASKET	1
50	X1516H	PIPE PLUG (1/4)	1
51	71-35	REVERSE CLUTCH PISTON	1
52	4805A	CLUTCH SEALING RING	1
53	4804G	O-RING	1
54	71-71	REVERSE CLUTCH PRESSURE PLATE	1
55	72-176	STEEL CLUTCH PLATE	*0-2
56	72-A66B	FRICTION CLUTCH PLATE	*1-3
57	71-97	PRESSURE PLATE SPRING	11
58	71-87A	DOWEL PIN (.312 DIA X .438 LONG)	3
58A	R6-177	DOWEL PIN (.312 DIA X .621 LONG)	3
58B	4622E	DOWEL PIN (.312 DIA X .875 LONG)	3
58C	10-00-043-031	DOWEL PIN (.312 DIA X 1.000 LONG)	3
59	71-15B	* THRUSTWASHER	1
59A	10-16-193-001	THRUSTWASHER	1
60	4822	SNAP RING	1
61	R6A-7-1/2	SNAP RING (10-17 ONLY)	1
61A	4766B	SNAP RING (10-18 ONLY)	1
62	4734	SNAP RING (10-17 ONLY)	1
62A	4559A	SNAP RING (10-18 ONLY)	1
63	10-00-130-017	BEARING (10-17 ONLY)	1
63A	10-00-130-016	BEARING (10-18 ONLY)	1
64	71-70	FORWARD CLUTCH CYLINDER (10-17 ONLY)	1
64A	72-70	FORWARD CLUTCH CYLINDER (10-18 ONLY)	1
65	10-16-124-001	FORWARD CLUTCH PISTON	1
65A	71-45	CLUTCH PISTON SUPERSEDED BY 1016-124-001	1
66	5M-122	O-RING	1
67	5L -36	PISTON SEALING RING	1
68	5C-33	CLUTCH SPRING BEARING RING	1
69	13575	CLUTCH BELLEVILLE SPRING	1
70	4755	SNAP RING	1
71	5C-175A	CLUTCH PRESSURE PLATE	1
72	10-16-166-001	STEEL CLUTCH PLATE (10-17 ONLY)	4

72A	10-16-166-001	STEEL CLUTCH PLATE (10-18 ONLY)	6
73	5C-A66A	FRICTION CLUTCH PLATE (10-17 ONLY)	5
73A	5C-A66A	FRICTION CLUTCH PLATE (10-18 ONLY)	7
74	5L-67	CLUTCH PRESSURE PLATE	1
75	10-00-139-048	SNAP RING (.033-.037 THICK) (10-17 ONLY) (Yellow)	1
75A	10-00-139-049	SNAP RING (.050-.054 THICK) (10-17 ONLY) (Pink)	1
75B	4768	SNAP RING (.050-.054 THICK) (10-18 ONLY) (Green)	1
75C	4768A	SNAP RING (.074-.078 THICK) (10-18 ONLY) (Orange)	1
75D	4768B	SNAP RING (.096-.100 THICK) (10-18 ONLY) (White)	1
75E	10-00-139-018	SNAP RING(.062-.066 THICK) (10-18 ONLY) (Purple)	1
76	71-6	RING GEAR (10-17 ONLY)	1
76A	10-16-162-001	RING GEAR (10-18 ONLY)	1
77	71-17	THRUSTWASHER	1
78	4806J	SEALING RING	2
79	4495	SNAP RING	1
80	71-40	FORWARD CLUTCH HUB (10-17 ONLY)	1
80A	10-16-179-001	FORWARD CLUTCH HUB (10-18 ONLY)	1
81	218211	WOODRUFF KEY (10-17 ONLY)	1
81A	124553	WOODRUFF KEY (10-18 ONLY)	1
82	71C-3A16	DRIVE GEAR ASSEMBLY (10-17 ONLY)	1
82A	72C-2A16	DRIVE GEAR ASSEMBLY (10-18 ONLY)	1
83	4806B	SEALING RING	4
84	71-9C	BUSHING	2
85	10-17-659-***	PINION CARRIER ASSEMBLY (10-17 ONLY)	1
85A	10-18-659-***	PINION CARRIER ASSEMBLY (10-18 ONLY)	1
86	71-159	THRUSTWASHER (USE W/BUSHING STYLE CASE)	1
86A	10-17-193-001	THRUSTWASHER (USE W/SEALING RING STYLE CASE)	1
87	10-17-036-002	OIL BAFFLE (USED ON 71 C)	1
87A	10-18-036-001	OIL BAFFLE (USED ON 72C)	1
88	10-00-191-002	PLUG (3/8-18)	2
89	4885B	DRYSEAL BUSHING (3/4-14)	1
90	5L-222	SPRING, EARLY MODELS, NO LONGER USED	1
91	35-143	FLAT WASHER, EARLY MODELS, NO LONGER USED	1
92	10-00-238-002	OIL INLET SCREEN	1
93	71C-84	OIL RETURN TUBE	1
94	71C-A98	OIL STRAINER ASSEMBLY	1
95	A4740G	BREATHER	1
96	444866	PIPE PLUG (3/8-18)	1
97	444687	PIPE PLUG (1/8-27)	1
98	10-17-565-***	CASE (10-17 ONLY)	1
98A	10-18-565-***	CASE (10-18 ONLY)	1

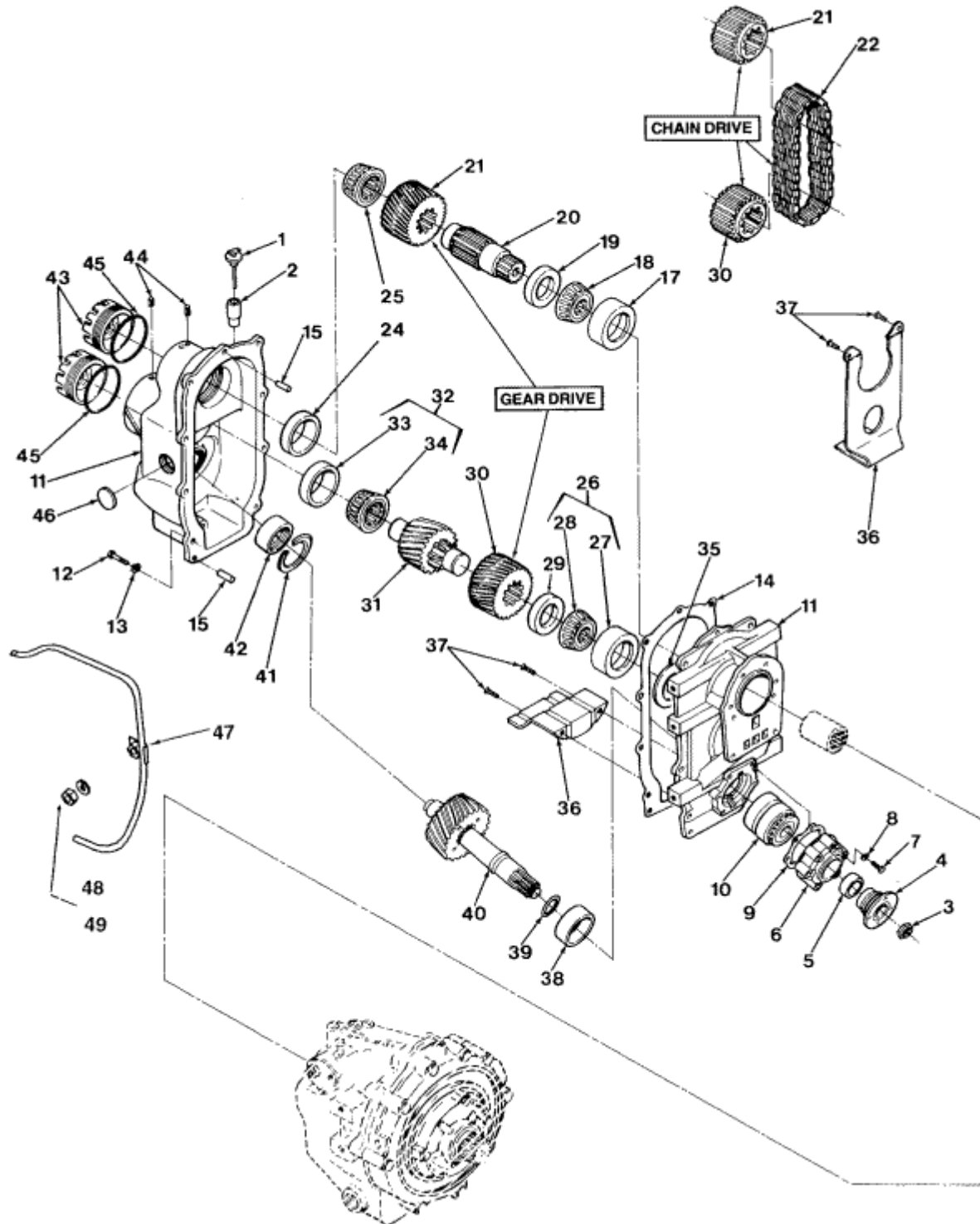
Velvet Drive TRANSMISSIONS **71C and 72C V-Drive Transmission
Assembly**



Ref #	Part #	Description	Qty
	10-04-000-*	TRANSMISSION ASSEMBLY (MODEL 71C)	
	10-05-000-*	TRANSMISSION ASSEMBLY (MODEL 72C)	
1	10-06-559-001	DIPSTICK (EARLY)	1
2	10-04-034-002	DIPSTICK TUBE (EARLY)	1
3	71-79B	SHIFT LEVER	1
4	9418892	HEXNUT(5/16-24)	1
5	108579	LOCKWASHER (5/16)	1
6	103340	FLATWASHER (5/16)	1
7	453632	STEEL BALL (5/16)	1
8	71-42	POPPET SPRING	1
9	10-00-640-004	NEUTRAL SWITCH ASSEMBLY	1
10	None	NEUTRAL SWITCH (NSS)	1
11	10-00-141-046	O-RING	1
12	10-16-039-001	VALVE COVER	1
13	179796	HEX HEAD BOLT (1/4-20 X 1/2)	3
14	103319	LOCKWASHER(1/4)	3
15	10-16-099-001	SWITCH CAM	1
16	71-14	VALVE COVER GASKET	1
17	71-A244A	CONTROL VALVE ASSEMBLY	1
18	4821	SNAP RING	1
19	71-246	SPRING RETAINER	1
20	71-242	VALVE SPRING (BLACK)	1
20A	72N-242	VALVE SPRING (WHITE) SUPERSEDED BY 71-242	1
21	71-243	REGULATORVALVE	1
22	4804H	O-RING	1
23	71-244A	CONTROL VALVE	1
24	71C-A60	PUMP ASSEMBLY	1
25	10-00-183-021	HEX HEAD BOLT (5/16-18 X 1-3/8)	4
26	10-00-044-014	OILSEAL	1
27	3-61	PUMP GASKET	1
28	4873	WOODRUFF KEY	1
29	71C-A8	FORWARD AND REVERSE ADAPTER ASSY	1
30	4911	CAPSCREW (3/8-16 X 1-1/4)	4
31	4840D	NEEDLE BEARING	1
32	None	FORWARD AND REVERSE ADAPTER (NSS)	1
33	71-144B	GASKET	1
34	444858	PIPE PLUG (1/4)	1
35	71-35	REVERSE CLUTCH PISTON	1
36	4805A	CLUTCH SEALING RING	1
37	4804G	O-RING	1
38	71-71	REVERSE CLUTCH PRESSURE PLATE	1
39	72-176	STEEL CLUTCH PLATE (10-04 ONLY)	1
39A	72-176	STEEL CLUTCH PLATE (10-05 ONLY)	2
40	72-A66B	FRICTION CLUTCH PLATE (10-04 ONLY)	2
40A	72-A66B	FRICTION CLUTCH PLATE (10-05 ONLY)	3

41	71-97	PRESSURE PLATE SPRING	11
42	R6-177	DOWEL PIN (0.312 DIA X 0.621 LONG) (10-04 ONLY)	3
42A	4622E	DOWEL PIN (0.312 DIA X 0.875 LONG) (10-05 ONLY)	3
43	71-15B	THRUSTWASHER +	1
43A	10-16-193-001	THRUSTWASHER +	1
44	4822	SNAP RING	1
45	R6A-7-1/2	SNAP RING (10-04 ONLY)	1
45A	4766B	SNAP RING (10-05 ONLY)	1
46	4734	SNAP RING (10-04 ONLY)	1
46A	4559A	SNAP RING (10-05 ONLY)	1
47	B107A	BEARING (10-04 ONLY)	1
47A	1000-130-016	BEARING (10-05 ONLY)	1
48	71-70	FORWARD CLUTCH CYLINDER (10-04 ONLY)	1
48A	72-70	FORWARD CLUTCH CYLINDER (10-05 ONLY)	1
49	10-16-124-001	FORWARD CLUTCH PISTON	1
50	5M-122	O-RING	1
51	5L-36	PISTON SEALING RING	1
52	5C-33	CLUTCH SPRING BEARING RING	1
53	3-37	CLUTCH BELLEVILLE SPRING	1
54	4755	SNAP RING	1
55	5C-175A	CLUTCH PRESSURE PLATE	1
56	1016-166-001	STEEL CLUTCH PLATE (10-04 ONLY)	4
56A	1016-166-001	STEEL CLUTCH PLATE (10-05 ONLY)	6
57	5C-A66A	FRICITION CLUTCH PLATE (10-04 ONLY)	5
57A	5C-A66A	FRICITION CLUTCH PLATE (10-05 ONLY)	7
58	5L-67	CLUTCH PRESSURE PLATE	1
59	10-00-139-048	SNAP RING (0.033 - 0.037 THICK) (10-04 ONLY)	1
59A	10-00-139-049	SNAP RING (0.050 - 0.054 THICK) (10-04 ONLY)	1
59B	4768	SNAP RING (0.050 - 0.054 THICK) (10-05 ONLY)	1-2
59C	4768A	SNAP RING (0.074 - 0.078 THICK) (10-05 ONLY)	1
59D	4768B	SNAP RING (0.096 - 0.100 THICK) (10-05 ONLY)	1
59	10-00-139-018	SNAP RING (0.062 - 0.066 THICK) (10-05 ONLY)	1
60	71-6	RING GEAR (10-04 ONLY)	1
60A	1016-162-001	RING GEAR (10-05 ONLY)	1
61	71-17	THRUSTWASHER	1
62	4806J	SEALING RING	2
63	4495	SNAP RING	1
64	71-40	FORWARD CLUTCH HUB (10-04 ONLY)	1
64A	10-16-179-001	FORWARD CLUTCH HUB (10-05 ONLY)	1
65	218211	WOODRUFF KEY (10-04 ONLY)	1
65A	124553	WOODRUFF KEY (10-05 ONLY)	1
66	71C-3A16	DRIVE GEAR (10-04 ONLY)	1
66A	72C-2A1 6	DRIVE GEAR (10-05 ONLY)	1
67	4806B	SEALING RING	4
67A	71-28C	BRUSHING (OLD STYLE, NOT ILLUSTRATED)	2
68	71-9C	BUSHING	3
69	10-17-659-020	PINION CARRIER ASSEMBLY (10-04 WITH SEALING RINGS)	1

69A	71-1A2A	PINION CARRIER ASSEMBLY (10-04 WITH BUSHINGS)	1
69B	10-18-659-014	PINION CARRIER ASSEMBLY (10-05 WITH SEALING RINGS)	1
69C	72-1A2A	PINION CARRIER ASSEMBLY (10-05 WITH BUSHINGS)	1
70	71-159	THRUSTWASHER (CASE WITH BUSHINGS)	1
70A	10-17-193-001	THRUSTWASHER (CASE WITHOUT BUSHINGS)	1
71	10-04-034-001	SUCTION TUBE (10-04 ONLY)	1
71A	10-05-034-001	SUCTION TUBE (10-05 ONLY)	1
72	A4740G	BREATHER	1
73	1000-191-059	SHIPPING PLUG (3/8-18)	1
74	444866	PIPE PLUG (3/8-18)	1
75	444687	PIPE PLUG (1/8-27)	1
76	444752	PIPE PLUG (3/4-14) (CURRENT)	1
77	9419506	HEX NUT (7/16-20)	6
78	10-00-146-001	STUD	6
79	13-08-045-002	GASKET	1
80	13-08-089-001	COUPLING (C)	1
81	10-04-565-005	CASE ASSEMBLY (A) (10-04 WITH SEALING RINGS)	1
81A	10-04-565-002	CASE ASSEMBLY (B) (10-04 WITH BUSHINGS)	1
81B	10-05-565-012	CASE ASSEMBLY (A) (10-05 WITH SEALING RINGS)	1
81C	10-05-565-002	CASE ASSEMBLY (B) (10-05 WITH BUSHINGS)	1
82	1017-036-002	OIL BAFFLE (Used on 71C)	1
82A	1018-036-001	OIL BAFFLE (Used on 72C)	1



Ref #	Part #	Description	Qty
	13-08-410-*	V-DRIVE ASSEMBLY	
1	10-05-559-001	DIPSTICK+	1
2	13-08-034-001	DIPSTICK TUBE	1
3	1000-149-034	OUTPUT SHAFT NUT	1
4	1000-031-001	COUPLING	1
4A	4912	COUPLING (EARLY MODELS)	1
5	1000-044-017	OIL SEAL	1
5A	71C-110	OIL SEAL (EARLY MODELS)	1
6	1308-027-005	BEARING CAP	1
6A	1308-027-001	BEARING CAP (EARLY MODELS)	1
7	00009421652	SOCKET HEAD BOLT (7/16-14X2)	6
7A	0000179866	HEX HEAD BOLT (7116 - 14X2 EARLY MODELS)	6
8	0000103322	LOCKWASHER (7116)	6
9	13-08-045-003	GASKET	1
10	4920	BEARING ASSEMBLY	1
11	13-08-565-015	CASE ASSEMBLY** (1.51, 1.53, 1.98, AND 1.99 RATIOS)	1
11A	13-08-565-018	CASE ASSEMBLY** (ALL OTHER RATIOS)	1
12	4853E	HEX HEAD BOLT (7116-14 x 1-114)	8
13	103322	LOCKWASHER (7116)	8
14	1308-045-001	GASKET (USED BEFORE APRIL 6, 1992)	1
14A	1308-045-004	GASKET (USED AFTER APRIL 6, 1992)	1
15	100360	TAPERED PIN	2
17	1000-133-001	BEARING CUP	1
18	1000-133-002	BEARING CONE	1
19	13-08-053-001	GEAR SPACER (GEAR DRIVE ONLY)	1
20	1 3-08-189-002	INPUT SHAFT	1
21	13-08-070-001	GEAR (34 TEETH, USED IN 1.99:1 RATIO)	1
21A	1 3-08-070-002	GEAR (39 TEETH, USED IN 1.51 :1 RATIO)	1
21B	13-08-070-003	GEAR (30 TEETH, USED IN 2.49:1 RATIO)	1
21C	13-08-070-004	GEAR (43 TEETH, USED IN 1.21 :1 RATIO)	1
21D	13-08-070-005	GEAR (26 TEETH, RATIO NO LONGER AVAILABLE)	1
21E	13-08-070-006	GEAR (47 TEETH, RATIO NO LONGER AVAILABLE)	1
21F	13-08-144-007	SPROCKET (29 TEETH, USED IN 1.98:1 RATIO)	1
21G	13-08-144-008	SPROCKET (33 TEETH, USED IN 1.53:1 RATIO)	1
21H	1 3-08-144-009	SPROCKET (25 TEETH, USED IN 2.53:1 RATIO)	1
21I	13-08-144-01 0	SPROCKET (36 TEETH, USED IN 1.21 :1 RATIO)	1
21J	1 3-08-144-0 11	SPROCKET (23 TEETH, RATIO NO LONGER AVAILABLE)	
21K	13-08-144-012	SPROCKET (41 TEETH, RATIO NO LONGER AVAILABLE)	
22	13-08-143-003	DRIVE CHAIN (52 PITCHES, USED IN 1.21 :1, 1.53:1 , 1.98:1, AND 2.50:1 RATIOS ONLY)	1
22A	13-08-1 43-004	DRIVE CHAIN (54 PITCHES, USED IN .97:1 AND 3.10:1 RATIOS ONLY,	1
24	1000-133-001	BEARING CUP	1
25	1000-133-002	BEARING CONE	1
27	1000-133-003	BEARING CUP	1
28	1000-133-004	BEARING CONE	1
29	13-08-053-001	GEAR SPACER (GEAR DRIVE ONLY)	1
30	13-08-070-001	GEAR (34 TEETH, USED IN 1.51 :1 RATIO)	1

30A	1308-070-002	GEAR (39 TEETH, USED IN 1.99:1 RATIO)	1
30B	1308-070-003	GEAR (30 TEETH, USED IN 1.21 :1 RATIO)	1
30C	1308-070-004	GEAR (43 TEETH, USED IN 2.49:1 RATIO)	1
30D	1308-070-005	GEAR (26 TEETH, RATIO NO LONGER AVAILABLE)	1
30E	1308-070-006	GEAR (47 TEETH, RATIO NO LONGER AVAILABLE)	1
30F	13-08-144-007	SPROCKET (29 TEETH, USED IN 1.53:1 RATIO)	
30G	13-08-144-008	SPROCKET (33 TEETH, USED IN 1.98:1 RATIO)	1
30H	13-08-144-009	SPROCKET (25 TEETH, USED IN 1.21 :1 RATIO)	1
30I	13-08-144-01 0	SPROCKET (36 TEETH, USED IN 2.50:1 RATIO)	1
30J	1 3-08-144-0 11	SPROCKET (23 TEETH, RATIO NO LONGER AVAILABLE)	1
30K	13-08-144-012	SPROCKET (41 TEETH, RATIO NO LONGER AVAILABLE)	1
31	13-08-41 0-0 14	BEVEL GEAR AND SHAFT ***	1
31A	1308-171-002	SHAFT ONLY (EARLY MODELS ONLY)	1
33	1000-133-001	BEARING CUP	1
34	1000-133-002	BEARING CONE	1
35	13-08-037-012	SHIM (0.050 INCH THICK)	****
35A	13-08-037 -0 13	SHIM (0.040 INCH THICK)	****
35B	13-08-037-014	SHIM (0.030 INCH THICK)	****
35C	13-08-037 -01 5	SHIM (0.020 INCH THICK)	****
35D	13-08-037-016	SHIM (0.010 INCH THICK)	****
35E	13-08-037-017	SHIM (0.005 INCH THICK)	****
35F	13-08-037-018	SHIM (0.004 INCH THICK)	****
35G	13-08-037-019	SHIM (0.003 INCH THICK)	****
36	1 3-08-036-00 1	OIL BAFFLE (GEAR DRIVE)	1
36A	1 3-08-036-003	OIL BAFFLE (CHAIN DRIVE)	1
37	186491	MACHINE SCREW (1/4-20 X 1/2)	2
38	1 3-08-036-002	OIL SLEEVE	1
39	10-13-037 -002	SHIM (0.005 INCH THICK)	****
39A	10-13-037 -004	SHIM (0.009 INCH THICK)	****
39B	1 0-13-037 -009	SHIM (0.020 INCH THICK)	****
40	13-08-41 0-014	BEVEL GEAR AND OUTPUT SHAFT ***	1
40A	1308-171-001	SHAFT ONLY (EARLY MODELS ONLY)	1
41	T86-7-1/2	SNAP RING	1
42	1 0-00-134-00 1	ROLLER BEARING	1
43	13-08-027 -003	BEARING CAP	2
44	9422345	SPRING PIN (3116 X 9116 LONG)	2
45	1 0-00-141-235	O-RING	2
46	1 0-00-113-004	EXPANSION PLUG (SOME MODELS ONLY)	1
47	1308-534-002	TUBE	1
48	1000-045-005	WASHER	1
49	120854	NUT	1